

# NIROFIRE

Preisliste 2023





|             | Blechstärke [mm] / Durchmesser [mm] |                                |                                |                                |                                |                                |                                 |                                 |                                 |                                 |                                 |                                 |                                 |                                 |                                 |                                 |                                 |
|-------------|-------------------------------------|--------------------------------|--------------------------------|--------------------------------|--------------------------------|--------------------------------|---------------------------------|---------------------------------|---------------------------------|---------------------------------|---------------------------------|---------------------------------|---------------------------------|---------------------------------|---------------------------------|---------------------------------|---------------------------------|
|             | ≠ 0,5 mm                            |                                |                                |                                |                                | ≠ 0,6 mm                       |                                 |                                 |                                 |                                 | ≠ 0,8 mm                        |                                 |                                 |                                 |                                 |                                 |                                 |
| Rohr        | 80                                  | 100                            | 110                            | 120                            | 130                            | 140                            | 150                             | 160                             | 180                             | 200                             | 225                             | 250                             | 300                             | 350                             | 400                             | 450                             | 500                             |
| 1. 4 Stück  | 388<br>4,4 m<br>SWK 80/4-Z8         | 435<br>4,4 m<br>SWK 100/4-Z8   | 455<br>4,4 m<br>SWK 110/4-Z8   | 477<br>4,4 m<br>SWK 120/4-Z8   | 500<br>4,4 m<br>SWK 130/4-Z8   | 552<br>4,5 m<br>SWK 140/4-Z8   | 597<br>4,5 m<br>SWK 150/4-Z8    | 621<br>4,5 m<br>SWK 160/4-Z8    | 691<br>4,5 m<br>SWK 180/4-Z8    | 756<br>4,5 m<br>SWK 200/4-Z8    | 885<br>4,7 m<br>SWK 225/4-Z8    | 1232<br>4,7 m<br>SWK 250/4-Z8   | 1469<br>4,8 m<br>SWK 300/4-Z8   | 1708<br>5,0 m<br>SWK 350/4-Z8   | 1989<br>5,1 m<br>SWK 400/4-Z8   | 2224<br>5,2 m<br>SWK 450/4-Z8   | 2507<br>5,3 m<br>SWK 500/4-Z8   |
| 2. 5 Stück  | 427<br>5,3 m<br>SWK 80/5-Z8         | 483<br>5,3 m<br>SWK 100/5-Z8   | 507<br>5,4 m<br>SWK 110/5-Z8   | 533<br>5,4 m<br>SWK 120/5-Z8   | 560<br>5,4 m<br>SWK 130/5-Z8   | 620<br>5,4 m<br>SWK 140/5-Z8   | 672<br>5,4 m<br>SWK 150/5-Z8    | 699<br>5,4 m<br>SWK 160/5-Z8    | 781<br>5,4 m<br>SWK 180/5-Z8    | 854<br>5,5 m<br>SWK 200/5-Z8    | 996<br>5,6 m<br>SWK 225/5-Z8    | 1392<br>5,7 m<br>SWK 250/5-Z8   | 1660<br>5,8 m<br>SWK 300/5-Z8   | 1929<br>5,9 m<br>SWK 350/5-Z8   | 2242<br>6,0 m<br>SWK 400/5-Z8   | 2507<br>6,1 m<br>SWK 450/5-Z8   | 2822<br>6,2 m<br>SWK 500/5-Z8   |
| 3. 6 Stück  | 466<br>6,3 m<br>SWK 80/6-Z8         | 531<br>6,3 m<br>SWK 100/6-Z8   | 559<br>6,3 m<br>SWK 110/6-Z8   | 589<br>6,3 m<br>SWK 120/6-Z8   | 620<br>6,3 m<br>SWK 130/6-Z8   | 688<br>6,4 m<br>SWK 140/6-Z8   | 747<br>6,3 m<br>SWK 150/6-Z8    | 777<br>6,3 m<br>SWK 160/6-Z8    | 871<br>6,4 m<br>SWK 180/6-Z8    | 952<br>6,4 m<br>SWK 200/6-Z8    | 1107<br>6,6 m<br>SWK 225/6-Z8   | 1552<br>6,6 m<br>SWK 250/6-Z8   | 1851<br>6,7 m<br>SWK 300/6-Z8   | 2150<br>6,8 m<br>SWK 350/6-Z8   | 2495<br>6,9 m<br>SWK 400/6-Z8   | 2790<br>7,1 m<br>SWK 450/6-Z8   | 3137<br>7,2 m<br>SWK 500/6-Z8   |
| 4. 7 Stück  | 505<br>7,2 m<br>SWK 80/7-Z8         | 579<br>7,2 m<br>SWK 100/7-Z8   | 611<br>7,2 m<br>SWK 110/7-Z8   | 645<br>7,2 m<br>SWK 120/7-Z8   | 680<br>7,2 m<br>SWK 130/7-Z8   | 756<br>7,3 m<br>SWK 140/7-Z8   | 822<br>7,3 m<br>SWK 150/7-Z8    | 855<br>7,3 m<br>SWK 160/7-Z8    | 961<br>7,3 m<br>SWK 180/7-Z8    | 1050<br>7,3 m<br>SWK 200/7-Z8   | 1218<br>7,5 m<br>SWK 225/7-Z8   | 1712<br>7,6 m<br>SWK 250/7-Z8   | 2042<br>7,7 m<br>SWK 300/7-Z8   | 2371<br>7,8 m<br>SWK 350/7-Z8   | 2748<br>7,9 m<br>SWK 400/7-Z8   | 3073<br>8,0 m<br>SWK 450/7-Z8   | 3452<br>8,1 m<br>SWK 500/7-Z8   |
| 5. 8 Stück  | 544<br>8,1 m<br>SWK 80/8-Z8         | 627<br>8,2 m<br>SWK 100/8-Z8   | 663<br>8,2 m<br>SWK 110/8-Z8   | 701<br>8,2 m<br>SWK 120/8-Z8   | 740<br>8,2 m<br>SWK 130/8-Z8   | 824<br>8,2 m<br>SWK 140/8-Z8   | 897<br>8,2 m<br>SWK 150/8-Z8    | 933<br>8,2 m<br>SWK 160/8-Z8    | 1051<br>8,2 m<br>SWK 180/8-Z8   | 1148<br>8,3 m<br>SWK 200/8-Z8   | 1329<br>8,5 m<br>SWK 225/8-Z8   | 1872<br>8,5 m<br>SWK 250/8-Z8   | 2233<br>8,6 m<br>SWK 300/8-Z8   | 2592<br>8,7 m<br>SWK 350/8-Z8   | 3001<br>8,8 m<br>SWK 400/8-Z8   | 3356<br>8,9 m<br>SWK 450/8-Z8   | 3767<br>9,1 m<br>SWK 500/8-Z8   |
| 6. 9 Stück  | 583<br>9,1 m<br>SWK 80/9-Z8         | 675<br>9,1 m<br>SWK 100/9-Z8   | 715<br>9,1 m<br>SWK 110/9-Z8   | 757<br>9,1 m<br>SWK 120/9-Z8   | 800<br>9,1 m<br>SWK 130/9-Z8   | 892<br>9,2 m<br>SWK 140/9-Z8   | 972<br>9,2 m<br>SWK 150/9-Z8    | 1011<br>9,2 m<br>SWK 160/9-Z8   | 1141<br>9,2 m<br>SWK 180/9-Z8   | 1246<br>9,2 m<br>SWK 200/9-Z8   | 1440<br>9,4 m<br>SWK 225/9-Z8   | 2032<br>9,4 m<br>SWK 250/9-Z8   | 2424<br>9,6 m<br>SWK 300/9-Z8   | 2813<br>9,7 m<br>SWK 350/9-Z8   | 3254<br>9,8 m<br>SWK 400/9-Z8   | 3639<br>9,9 m<br>SWK 450/9-Z8   | 4082<br>10,0 m<br>SWK 500/9-Z8  |
| 7. 10 Stück | 622<br>10,0 m<br>SWK 80/10-Z8       | 723<br>10,0 m<br>SWK 100/10-Z8 | 767<br>10,1 m<br>SWK 110/10-Z8 | 813<br>10,1 m<br>SWK 120/10-Z8 | 860<br>10,1 m<br>SWK 130/10-Z8 | 960<br>10,1 m<br>SWK 140/10-Z8 | 1047<br>10,1 m<br>SWK 150/10-Z8 | 1089<br>10,1 m<br>SWK 160/10-Z8 | 1231<br>10,1 m<br>SWK 180/10-Z8 | 1344<br>10,2 m<br>SWK 200/10-Z8 | 1551<br>10,3 m<br>SWK 225/10-Z8 | 2192<br>10,4 m<br>SWK 250/10-Z8 | 2615<br>10,5 m<br>SWK 300/10-Z8 | 3034<br>10,6 m<br>SWK 350/10-Z8 | 3507<br>10,7 m<br>SWK 400/10-Z8 | 3922<br>10,8 m<br>SWK 450/10-Z8 | 4397<br>10,9 m<br>SWK 500/10-Z8 |

Nettopreis in EUR  
ohne Mehrwertsteuer

Kaminhöhe [m]

Artikel Symbol

Max Arbeitstemperatur 450°C  
Material : 1.4404 laut DIN 17441  
Rohre für Außenseite sind plasma geschweißt  
Muffenlänge (60mm)  
Garantie 5 Jahre



|    | SYMBOL            | NAME                                     | Blechstärke [mm] / Durchmesser [mm] |     |     |     |     |     |     |     |          |     |     |     |     |     |     |     |     |
|----|-------------------|--|-------------------------------------|-----|-----|-----|-----|-----|-----|-----|----------|-----|-----|-----|-----|-----|-----|-----|-----|
|    |                   |  | # 0,5 mm                            |     |     |     |     |     |     |     | # 0,6 mm |     |     |     |     |     |     |     |     |
| 1  | DK...-CH...       | Regenhaube                               | 80                                  | 100 | 110 | 120 | 130 | 140 | 150 | 160 | 180      | 200 | 225 | 250 | 300 | 350 | 400 | 450 | 500 |
| 2  | RP.../1000-CH...  | Längenelement 1000mm                     | 26                                  | 27  | 27  | 27  | 28  | 31  | 36  | 37  | 37       | 40  | 67  | 76  | 98  | 121 | 124 | 139 | 163 |
| 3  | RP.../500-CH...   | Längenelement 500mm                      | 29                                  | 29  | 31  | 34  | 36  | 39  | 41  | 44  | 48       | 53  | 60  | 67  | 80  | 92  | 104 | 117 | 129 |
| 4  | RP.../250-CH...   | Längenelement 250mm                      | 19                                  | 21  | 22  | 24  | 24  | 26  | 29  | 30  | 32       | 36  | 40  | 44  | 51  | 58  | 66  | 73  | 82  |
| 5  | TR.../90-CH...    | T-Stück 90°                              | 40                                  | 43  | 44  | 47  | 51  | 58  | 60  | 64  | 75       | 84  | 103 | 117 | 150 | 188 | 243 | 289 | 341 |
| 6  | TR.../45-CH...    | T-Stück 45°                              | 56                                  | 60  | 65  | 71  | 72  | 82  | 89  | 95  | 109      | 123 | 147 | 168 | 218 | 272 | 340 | 408 | 487 |
| 7  | WC...-CH...       | Prüföffnung (mit Kasten)                 | 46                                  | 50  | 52  | 53  | 54  | 64  | 66  | 69  | 75       | 82  | 86  | 101 | 116 | 130 | 159 | 172 | 185 |
| 8  | DWT1-X            | Putzüre mit Wärmedämmung                 | 52                                  | 52  | 52  | 52  | 52  | 52  | 52  | 52  | 52       | 52  | 52  | 52  | 52  | 52  | 52  | 52  | 52  |
| 9  | MS...-CH...       | Boden mit Ablauf                         | 25                                  | 27  | 27  | 28  | 28  | 28  | 30  | 34  | 37       | 41  | 56  | 62  | 64  | 70  | 83  | 97  | 114 |
| 10 | PD...-X           | Abschlussblech                           | 24                                  | 25  | 25  | 26  | 26  | 26  | 31  | 31  | 32       | 41  | 49  | 70  | 82  | 96  | 133 | 151 | 170 |
| 11 | KPD...-X          | Regenkragen                              | 19                                  | 19  | 20  | 20  | 21  | 21  | 22  | 22  | 23       | 24  | 28  | 29  | 32  | 34  | 37  | 40  | 43  |
| 12 | OU...-X           | Abstandshalter                           | 14                                  | 16  | 16  | 16  | 16  | 17  | 17  | 17  | 18       | 18  | 20  | 22  | 26  | 28  | 29  | 30  | 30  |
| 13 | ROZ...-CH...      | Rosette                                  | 10                                  | 11  | 12  | 12  | 12  | 13  | 14  | 15  | 16       | 16  | 17  | 19  | 22  | 26  | 31  | 42  | 48  |
| 14 | PW/200...-CH6     | Putzkastenverlängerung L=200 mm          | 34                                  | 34  | 34  | 34  | 34  | 34  | 34  | 34  | 34       | 34  | 34  | 34  | 34  | 34  | 34  | 34  | 34  |
| 15 | RM-DW125x185-X    | Rahmen für Putzkasten                    | 45                                  | 45  | 45  | 45  | 45  | 45  | 45  | 45  | 45       | 45  | 45  | 45  | 45  | 45  | 45  | 45  | 45  |
| 16 | ZT...-CH...       | Abschlussstopfen für T-Stück             | 14                                  | 15  | 15  | 17  | 17  | 19  | 19  | 20  | 21       | 22  | 26  | 28  | 36  | 44  | 52  | 62  | 73  |
| 17 | RU.../1000-CH...  | Rohr mit Ablasschlaufe (Außen Schlaufen) | 41                                  | 50  | 55  | 58  | 68  | 71  | 76  | 80  | 91       | 99  | 112 | 133 | 157 | 193 | 219 | 245 | 272 |
| 18 | RT.../2x250-CH... | Justierelement 2x250                     | 43                                  | 50  | 51  | 53  | 55  | 60  | 64  | 67  | 75       | 80  | 91  | 100 | 116 | 133 | 152 | 169 | 186 |
| 19 | PP...-CH...       | Verlängerungs Ankerplatte                | 32                                  | 35  | 37  | 38  | 39  | 44  | 51  | 52  | 54       | 58  | 69  | 92  | 109 | 140 | 176 | 201 | 226 |
| 20 | KS.../90-CH...    | Bogen 90°                                | 38                                  | 40  | 42  | 44  | 46  | 52  | 54  | 59  | 67       | 72  | 84  | 103 | 127 | 158 | 178 | 217 | 239 |
| 21 | KSr.../90-CH...   | Bogen 90° mit Revisionsöffnung           | 59                                  | 61  | 63  | 65  | 66  | 74  | 76  | 81  | 88       | 92  | 105 | 125 | 148 | 180 | 199 | 238 | 259 |

Nettopreis in EUR ohne Mehrwertsteuer

Max Arbeitstemperatur 450°C  
 Material : 1.4404 laut DIN 17441  
 Rohre für Außenseite sind plasma geschweißt  
 Muffenlänge (60mm)  
 Garantie 5 Jahre





|    |          | Blechstärke [mm] / Durchmesser [mm] |                |                |                |                |                |                |                |                |                |                |                |                   |                   |                   |                   |                   |                   |                   |                   |                   |                   |                   |                   |
|----|----------|-------------------------------------|----------------|----------------|----------------|----------------|----------------|----------------|----------------|----------------|----------------|----------------|----------------|-------------------|-------------------|-------------------|-------------------|-------------------|-------------------|-------------------|-------------------|-------------------|-------------------|-------------------|-------------------|
|    |          | ≠ 0,8 mm                            |                |                |                |                |                |                |                |                |                |                |                |                   |                   |                   |                   |                   |                   |                   |                   |                   |                   |                   |                   |
|    | Rohr     | 120                                 | 130            | 140            | 150            | 160            | 180            | 200            | 225            | 250            | 300            | 350            | 400            |                   |                   |                   |                   |                   |                   |                   |                   |                   |                   |                   |                   |
| 1. | 4 Stück  | 683<br>4,4 m                        | 725<br>4,4 m   | 757<br>4,5 m   | 812<br>4,5 m   | 853<br>4,5 m   | 936<br>4,5 m   | 1034<br>4,5 m  | 1156<br>4,7 m  | 1291<br>4,7 m  | 1526<br>4,8 m  | 1779<br>5,0 m  | 2061<br>5,1 m  | SWKZ<br>120/4-Z8  | SWKZ<br>130/4-Z8  | SWKZ<br>140/4-Z8  | SWKZ<br>150/4-Z8  | SWKZ<br>160/4-Z8  | SWKZ<br>180/4-Z8  | SWKZ<br>200/4-Z8  | SWKZ<br>225/4-Z8  | SWKZ<br>250/4-Z8  | SWKZ<br>300/4-Z8  | SWKZ<br>350/4-Z8  | SWKZ<br>400/4-Z8  |
| 2. | 5 Stück  | 765<br>5,4 m                        | 813<br>5,4 m   | 850<br>5,4 m   | 913<br>5,4 m   | 960<br>5,4 m   | 1055<br>5,4 m  | 1166<br>5,5 m  | 1304<br>5,6 m  | 1455<br>5,7 m  | 1721<br>5,8 m  | 2005<br>5,9 m  | 2320<br>6,0 m  | SWKZ<br>120/5-Z8  | SWKZ<br>130/5-Z8  | SWKZ<br>140/5-Z8  | SWKZ<br>150/5-Z8  | SWKZ<br>160/5-Z8  | SWKZ<br>180/5-Z8  | SWKZ<br>200/5-Z8  | SWKZ<br>225/5-Z8  | SWKZ<br>250/5-Z8  | SWKZ<br>300/5-Z8  | SWKZ<br>350/5-Z8  | SWKZ<br>400/5-Z8  |
| 3. | 6 Stück  | 847<br>6,3 m                        | 901<br>6,3 m   | 943<br>6,4 m   | 1014<br>6,3 m  | 1067<br>6,3 m  | 1174<br>6,4 m  | 1298<br>6,4 m  | 1452<br>6,6 m  | 1619<br>6,6 m  | 1916<br>6,7 m  | 2231<br>6,8 m  | 2579<br>6,9 m  | SWKZ<br>120/6-Z8  | SWKZ<br>130/6-Z8  | SWKZ<br>140/6-Z8  | SWKZ<br>150/6-Z8  | SWKZ<br>160/6-Z8  | SWKZ<br>180/6-Z8  | SWKZ<br>200/6-Z8  | SWKZ<br>225/6-Z8  | SWKZ<br>250/6-Z8  | SWKZ<br>300/6-Z8  | SWKZ<br>350/6-Z8  | SWKZ<br>400/6-Z8  |
| 4. | 7 Stück  | 1011<br>7,2 m                       | 1077<br>7,2 m  | 1129<br>7,3 m  | 1216<br>7,3 m  | 1281<br>7,3 m  | 1412<br>7,3 m  | 1562<br>7,3 m  | 1748<br>7,5 m  | 1947<br>7,6 m  | 2306<br>7,7 m  | 2683<br>7,8 m  | 3097<br>7,9 m  | SWKZ<br>120/7-Z8  | SWKZ<br>130/7-Z8  | SWKZ<br>140/7-Z8  | SWKZ<br>150/7-Z8  | SWKZ<br>160/7-Z8  | SWKZ<br>180/7-Z8  | SWKZ<br>200/7-Z8  | SWKZ<br>225/7-Z8  | SWKZ<br>250/7-Z8  | SWKZ<br>300/7-Z8  | SWKZ<br>350/7-Z8  | SWKZ<br>400/7-Z8  |
| 5. | 8 Stück  | 1093<br>8,2 m                       | 1165<br>8,2 m  | 1222<br>8,2 m  | 1317<br>8,2 m  | 1388<br>8,2 m  | 1531<br>8,2 m  | 1694<br>8,3 m  | 1896<br>8,5 m  | 2111<br>8,5 m  | 2501<br>8,6 m  | 2909<br>8,7 m  | 3356<br>8,8 m  | SWKZ<br>120/8-Z8  | SWKZ<br>130/8-Z8  | SWKZ<br>140/8-Z8  | SWKZ<br>150/8-Z8  | SWKZ<br>160/8-Z8  | SWKZ<br>180/8-Z8  | SWKZ<br>200/8-Z8  | SWKZ<br>225/8-Z8  | SWKZ<br>250/8-Z8  | SWKZ<br>300/8-Z8  | SWKZ<br>350/8-Z8  | SWKZ<br>400/8-Z8  |
| 6. | 9 Stück  | 1175<br>9,1 m                       | 1253<br>9,1 m  | 1315<br>9,2 m  | 1418<br>9,2 m  | 1495<br>9,2 m  | 1650<br>9,2 m  | 1826<br>9,2 m  | 2044<br>9,4 m  | 2275<br>9,4 m  | 2696<br>9,6 m  | 3135<br>9,7 m  | 3615<br>9,8 m  | SWKZ<br>120/9-Z8  | SWKZ<br>130/9-Z8  | SWKZ<br>140/9-Z8  | SWKZ<br>150/9-Z8  | SWKZ<br>160/9-Z8  | SWKZ<br>180/9-Z8  | SWKZ<br>200/9-Z8  | SWKZ<br>225/9-Z8  | SWKZ<br>250/9-Z8  | SWKZ<br>300/9-Z8  | SWKZ<br>350/9-Z8  | SWKZ<br>400/9-Z8  |
| 7. | 10 Stück | 1011<br>10,1 m                      | 1077<br>10,1 m | 1129<br>10,1 m | 1216<br>10,1 m | 1281<br>10,1 m | 1412<br>10,1 m | 1562<br>10,2 m | 1748<br>10,3 m | 1947<br>10,4 m | 2306<br>10,5 m | 2683<br>10,6 m | 3097<br>10,7 m | SWKZ<br>120/10-Z8 | SWKZ<br>130/10-Z8 | SWKZ<br>140/10-Z8 | SWKZ<br>150/10-Z8 | SWKZ<br>160/10-Z8 | SWKZ<br>180/10-Z8 | SWKZ<br>200/10-Z8 | SWKZ<br>225/10-Z8 | SWKZ<br>250/10-Z8 | SWKZ<br>300/10-Z8 | SWKZ<br>350/10-Z8 | SWKZ<br>400/10-Z8 |

Nettopreis in EUR  
ohne Mehrwertsteuer

Kaminhöhe [m]

Artikel Symbol

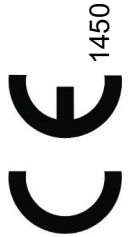
Max Arbeitstemperatur 600°C  
Material : 1.4828 laut DIN 17441  
Rohre für Außenseite sind plasma geschweißt  
Muffenlänge (60mm)  
Garantie 5 Jahre



|    |                    | Blechstärke [mm] / Durchmesser [mm]       |     |     |     |     |     |     |     |     |     |     |     |     |  |  |  |
|----|--------------------|---|-----|-----|-----|-----|-----|-----|-----|-----|-----|-----|-----|-----|--|--|--|
|    |                    | ≠ 0,8 mm                                  |     |     |     |     |     |     |     |     |     |     |     |     |  |  |  |
|    | SYMBOL             | NAME                                      | 120 | 130 | 140 | 150 | 160 | 180 | 200 | 225 | 250 | 300 | 350 | 400 |  |  |  |
| 1  | DK...Z8...         | Regenhaube                                | 46  | 52  | 53  | 60  | 64  | 72  | 84  | 94  | 108 | 137 | 172 | 178 |  |  |  |
| 2  | RP.../1000-Z8...   | Längenelement 1000mm                      | 82  | 88  | 93  | 101 | 107 | 119 | 132 | 148 | 164 | 195 | 226 | 259 |  |  |  |
| 3  | RP.../500-Z8...    | Längenelement 500mm                       | 47  | 50  | 53  | 57  | 60  | 67  | 75  | 83  | 92  | 108 | 126 | 143 |  |  |  |
| 4  | RP.../250-Z8...    | Längenelement 250mm                       | 29  | 31  | 32  | 35  | 36  | 40  | 44  | 48  | 53  | 63  | 73  | 83  |  |  |  |
| 5  | TR.../90-Z8...     | T-Stück 90°                               | 78  | 85  | 94  | 97  | 104 | 118 | 131 | 144 | 165 | 213 | 269 | 343 |  |  |  |
| 6  | TR.../45-Z8...     | T-Stück 45°                               | 95  | 102 | 108 | 118 | 127 | 139 | 157 | 185 | 213 | 278 | 352 | 439 |  |  |  |
| 7  | WC...-Z8...        | Prüföffnung (mit Kasten)                  | 105 | 109 | 111 | 116 | 118 | 126 | 133 | 141 | 149 | 166 | 182 | 199 |  |  |  |
| 8  | DWT1-X             | Putzüre mit Wärmedämmung                  | 52  | 52  | 52  | 52  | 52  | 52  | 52  | 52  | 52  | 52  | 52  | 52  |  |  |  |
| 9  | MS...-Z8...        | Boden mit Ablauf                          | 28  | 28  | 28  | 30  | 34  | 37  | 41  | 56  | 62  | 64  | 70  | 83  |  |  |  |
| 10 | PD...-X            | Abschlussblech                            | 26  | 26  | 26  | 31  | 31  | 32  | 41  | 49  | 70  | 82  | 96  | 133 |  |  |  |
| 11 | KPD...-X           | Regenkragen                               | 20  | 21  | 21  | 22  | 22  | 23  | 24  | 28  | 29  | 32  | 34  | 37  |  |  |  |
| 12 | OU...-X            | Abstandshalter                            | 16  | 16  | 17  | 17  | 17  | 18  | 18  | 20  | 22  | 26  | 28  | 28  |  |  |  |
| 13 | ROZ...-CH...       | Rosette                                   | 12  | 12  | 13  | 14  | 15  | 16  | 16  | 17  | 19  | 22  | 26  | 31  |  |  |  |
| 14 | PW/200...-CH6      | Putzkastenverlängerung L=200mm            | 34  | 34  | 34  | 34  | 34  | 34  | 34  | 34  | 34  | 34  | 34  | 34  |  |  |  |
| 15 | RM-DW125x185-X     | Rahmen für Putzkasten                     | 45  | 45  | 45  | 45  | 45  | 45  | 45  | 45  | 45  | 45  | 45  | 45  |  |  |  |
| 16 | ZTZ120-Z8          | Abschlussstopfen für T-Stück              | 18  | 18  | 20  | 20  | 21  | 22  | 26  | 28  | 32  | 38  | 45  | 53  |  |  |  |
| 17 | RUZ120/1000-Z8-XXX | Rohr mit Ablaufschlaufe (Außen Schlaufen) | 83  | 89  | 94  | 102 | 108 | 121 | 133 | 149 | 165 | 196 | 227 | 260 |  |  |  |

Nettopreis in EUR ohne Mehrwertsteuer

Max Arbeitstemperatur 600°C  
 Material : 1.4828 laut DIN 17441  
 Rohre für Außenseite sind plasma geschweißt  
 Muffenlänge (60mm)  
 Garantie 5 Jahre





|    |          | Blechstärke [mm] / Durchmesser [mm] |                    |                    |                    |                    |                    |                    |                    |                    |                    | OMD                | OPIV               |         |          |
|----|----------|-------------------------------------|--------------------|--------------------|--------------------|--------------------|--------------------|--------------------|--------------------|--------------------|--------------------|--------------------|--------------------|---------|----------|
|    |          | ≠ 0,6/0,5                           | ≠ 0,6/0,5 mm       |                    | ≠ 0,6/0,6          |                    | ≠ 0,8/0,6 mm       |                    | ≠ 1,0/0,6 mm       |                    |                    |                    |                    |         |          |
| 1. | Rohr     | 130/225                             | 150/250            | 160/260            | 180/280            | 200/300            | 225/325            | 250/350            | 300/400            | 350/450            | 400/500            | 450/550            | 500/600            | 2 Stück | 8 Stück  |
|    | 4 Stück  | 1753                                | 1937               | 2005               | 2133               | 2280               | 2577               | 3148               | 3620               | 4113               | 5239               | 5904               | 6662               | 2 Stück | 8 Stück  |
|    |          | SKDZ 130/225/4-Z8                   | SKDZ 150/250/4-Z8  | SKDZ 160/260/4-Z8  | SKDZ 180/280/4-Z8  | SKDZ 200/300/4-Z8  | SKDZ 225/325/4-Z8  | SKDZ 250/350/4-Z8  | SKDZ 300/400/4-Z8  | SKDZ 350/450/4-Z8  | SKDZ 400/500/4-Z8  | SKDZ 450/550/4-Z8  | SKDZ 500/600/4-Z8  |         |          |
|    | 5 Stück  | 1936                                | 2143               | 2219               | 2363               | 2525               | 2861               | 3503               | 4025               | 4564               | 5831               | 6562               | 7394               | 2 Stück | 9 Stück  |
|    |          | SKDZ 130/225/5-Z8                   | SKDZ 150/250/5-Z8  | SKDZ 160/260/5-Z8  | SKDZ 180/280/5-Z8  | SKDZ 200/300/5-Z8  | SKDZ 225/325/5-Z8  | SKDZ 250/350/5-Z8  | SKDZ 300/400/5-Z8  | SKDZ 350/450/5-Z8  | SKDZ 400/500/5-Z8  | SKDZ 450/550/5-Z8  | SKDZ 500/600/5-Z8  |         |          |
|    | 6 Stück  | 2119                                | 2349               | 2433               | 2593               | 2770               | 3145               | 3858               | 4430               | 5015               | 6423               | 7220               | 8126               | 2 Stück | 10 Stück |
|    |          | SKDZ 130/225/6-Z8                   | SKDZ 150/250/6-Z8  | SKDZ 160/260/6-Z8  | SKDZ 180/280/6-Z8  | SKDZ 200/300/6-Z8  | SKDZ 225/325/6-Z8  | SKDZ 250/350/6-Z8  | SKDZ 300/400/6-Z8  | SKDZ 350/450/6-Z8  | SKDZ 400/500/6-Z8  | SKDZ 450/550/6-Z8  | SKDZ 500/600/6-Z8  |         |          |
|    | 7 Stück  | 2302                                | 2555               | 2647               | 2823               | 3015               | 3429               | 4213               | 4835               | 5466               | 7015               | 7878               | 8858               | 2 Stück | 11 Stück |
|    |          | SKDZ 130/225/7-Z8                   | SKDZ 150/250/7-Z8  | SKDZ 160/260/7-Z8  | SKDZ 180/280/7-Z8  | SKDZ 200/300/7-Z8  | SKDZ 225/325/7-Z8  | SKDZ 250/350/7-Z8  | SKDZ 300/400/7-Z8  | SKDZ 350/450/7-Z8  | SKDZ 400/500/7-Z8  | SKDZ 450/550/7-Z8  | SKDZ 500/600/7-Z8  |         |          |
|    | 8 Stück  | 2557                                | 2839               | 2940               | 3133               | 3343               | 3804               | 4667               | 5352               | 6040               | 7741               | 8678               | 9740               | 3 Stück | 12 Stück |
|    |          | SKDZ 130/225/8-Z8                   | SKDZ 150/250/8-Z8  | SKDZ 160/260/8-Z8  | SKDZ 180/280/8-Z8  | SKDZ 200/300/8-Z8  | SKDZ 225/325/8-Z8  | SKDZ 250/350/8-Z8  | SKDZ 300/400/8-Z8  | SKDZ 350/450/8-Z8  | SKDZ 400/500/8-Z8  | SKDZ 450/550/8-Z8  | SKDZ 500/600/8-Z8  |         |          |
|    | 9 Stück  | 2812                                | 3123               | 3233               | 3443               | 3671               | 4179               | 5121               | 5869               | 6614               | 8467               | 9478               | 10622              | 4 Stück | 13 Stück |
|    |          | SKDZ 130/225/9-Z8                   | SKDZ 150/250/9-Z8  | SKDZ 160/260/9-Z8  | SKDZ 180/280/9-Z8  | SKDZ 200/300/9-Z8  | SKDZ 225/325/9-Z8  | SKDZ 250/350/9-Z8  | SKDZ 300/400/9-Z8  | SKDZ 350/450/9-Z8  | SKDZ 400/500/9-Z8  | SKDZ 450/550/9-Z8  | SKDZ 500/600/9-Z8  |         |          |
|    | 10 Stück | 2995                                | 3329               | 3447               | 3673               | 3916               | 4463               | 5476               | 6274               | 7065               | 9059               | 10136              | 11354              | 4 Stück | 14 Stück |
|    |          | SKDZ 130/225/10-Z8                  | SKDZ 150/250/10-Z8 | SKDZ 160/260/10-Z8 | SKDZ 180/280/10-Z8 | SKDZ 200/300/10-Z8 | SKDZ 225/325/10-Z8 | SKDZ 250/350/10-Z8 | SKDZ 300/400/10-Z8 | SKDZ 350/450/10-Z8 | SKDZ 400/500/10-Z8 | SKDZ 450/550/10-Z8 | SKDZ 500/600/10-Z8 |         |          |

Nettopreis in EUR ohne Mehrwertsteuer

Max Arbeitstemperatur 450°C  
Material des Innenrohres : 1.4404 laut DIN 17441  
Material des Außenrohres : 1.4301 laut DIN 17441  
Rohre für Außenseite sind plasma geschweißt  
Muffenlänge (60mm)  
Garantie 5 Jahre



Artikel Symbol

Kaminhöhe [m]

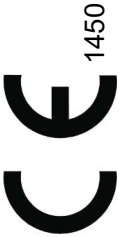
Nettopreis in EUR ohne Mehrwertsteuer

Das Set besteht aus :  
Mündungsabschluß T-Stück 90, Isolierungsabschluß , Prüfföffnung (mit Kasten), Putztüre,  
Boden mit Ablauf, Stützkonsole, Rosette  
Längenelement 1000 mm - Anzahl laut Tabelle  
OMD - Wandbefestigungsschelle - Anzahl laut Tabelle, OPIV - Spannschelle IV - Anzahl laut Tabelle

|    | SYMBOL                | NAME  | Blechstärke [mm] / Durchmesser [mm] |           |           |           |           |           |           |           |           |           |           |           |
|----|-----------------------|---|-------------------------------------|-----------|-----------|-----------|-----------|-----------|-----------|-----------|-----------|-----------|-----------|-----------|
|    |                       |   | # 0,5/0,5                           | # 0,6/0,5 | # 0,6/0,6 | # 0,6/0,6 | # 0,6/0,6 | # 0,6/0,6 | # 0,6/0,6 | # 0,6/0,6 | # 0,6/0,6 | # 0,6/0,6 | # 0,6/0,6 | # 0,6/0,6 |
|    |                       |   | 130/225                             | 150/250   | 180/280   | 200/300   | 225/325   | 250/350   | 300/400   | 350/450   | 400/500   | 450/550   | 500/600   |           |
| 1  | USD.../...-CH...      | Mündungsabschluß                              | 91                                  | 100       | 111       | 120       | 141       | 175       | 205       | 231       | 284       | 321       | 433       |           |
| 2  | DKD.../...-CH...      | Regenhaube                                    | 74                                  | 90        | 103       | 110       | 138       | 165       | 211       | 250       | 314       | 332       | 402       |           |
| 3  | RPD.../.../1000-CH... | Längenelement 1000mm                          | 156                                 | 178       | 201       | 216       | 254       | 322       | 371       | 415       | 549       | 608       | 682       |           |
| 4  | RPD.../.../500-CH...  | Längenelement 500mm                           | 104                                 | 118       | 132       | 142       | 165       | 197       | 225       | 252       | 314       | 347       | 389       |           |
| 5  | RPD.../.../250-CH...  | Längenelement 250mm                           | 61                                  | 69        | 77        | 82        | 94        | 118       | 136       | 150       | 195       | 215       | 240       |           |
| 6  | TRD.../.../90-CH...   | T-Stück 90°                                   | 166                                 | 193       | 225       | 246       | 298       | 374       | 470       | 560       | 746       | 869       | 1030      |           |
| 7  | TRD.../.../45-CH...   | T-Stück 45°                                   | 224                                 | 258       | 303       | 332       | 400       | 505       | 631       | 759       | 1048      | 1237      | 1472      |           |
| 8  | ZTD.../...-CH...-...  | Isolierungsabschluß K (90°)                   | 45                                  | 50        | 55        | 56        | 64        | 70        | 79        | 90        | 121       | 134       | 149       |           |
| 9  | WCD.../...-CH...      | Prüföffnung (mit Kasten)                      | 207                                 | 220       | 243       | 252       | 283       | 333       | 377       | 455       | 584       | 745       | 817       |           |
| 10 | DWT1-X                | Putztüre mit Wärmedämmung                     | 52                                  | 52        | 52        | 52        | 52        | 52        | 52        | 52        | 52        | 52        | 52        |           |
| 11 | MSD.../...-CH         | isolierter Boden mit Ablauf und Ankerplatte   | 98                                  | 109       | 116       | 135       | 147       | 188       | 219       | 253       | 315       | 352       | 399       |           |
| 12 | KWD...-X/50-150       | Verstellbare Stützkonsole a=50-150            | 93                                  | 102       | 114       | 135       | 154       | 180       | 207       | 236       | 281       | 315       | 354       |           |
| 13 | OMD...-X/50-150       | Verstellbare Wandbefestigungsschelle a=50-150 | 72                                  | 78        | 80        | 83        | 91        | 99        | 112       | 123       | 134       | 142       | 150       |           |
| 14 | OPIV...-X             | Spannschelle IV                               | 27                                  | 28        | 29        | 29        | 30        | 33        | 34        | 36        | 43        | 50        | 50        |           |
| 15 | ROZ...-CH...          | Rosette                                       | 17                                  | 19        | 21        | 22        |           | 26        | 31        | 42        | 48        |           |           |           |

Nettopreis in EUR ohne Mehrwertsteuer

Max Arbeitstemperatur 450°C  
Material des Innenrohres: 1.4404 laut DIN 17441  
Material des Außenrohres: 1.4301 laut DIN 17441  
Rohre für Außenseite sind plasma geschweißt  
Muffenlänge (60mm)  
Garantie 5 Jahre



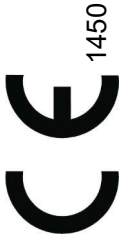




|    | SYMBOL              | NAME  | Blechstärke [mm] / Durchmesser [mm] |         |         |         |         |         |           |         |         |  |  |  |
|----|---------------------|---|-------------------------------------|---------|---------|---------|---------|---------|-----------|---------|---------|--|--|--|
|    |                     |   | # 0,8/0,5                           |         |         |         |         |         | # 0,8/0,6 |         |         |  |  |  |
|    |                     |   | 130/225                             | 150/250 | 180/280 | 200/300 | 225/325 | 250/350 | 300/400   | 350/450 | 400/500 |  |  |  |
| 1  | USDZ.../...-Z8      | Mündungsabschluß                              | 99                                  | 108     | 122     | 131     | 154     | 175     | 206       | 233     | 247     |  |  |  |
| 2  | DKDZ.../...-Z8      | Regenhaube                                    | 91                                  | 106     | 127     | 140     | 157     | 177     | 229       | 272     | 281     |  |  |  |
| 3  | RPDZ.../.../1000-Z8 | Längenelement 1000mm                          | 207                                 | 231     | 264     | 287     | 331     | 363     | 424       | 484     | 519     |  |  |  |
| 4  | RPDZ.../.../500-Z8  | Längenelement 500mm                           | 127                                 | 140     | 159     | 172     | 198     | 217     | 254       | 287     | 307     |  |  |  |
| 5  | RPDZ.../.../250-Z8  | Längenelement 250mm                           | 85                                  | 94      | 105     | 113     | 128     | 138     | 158       | 177     | 189     |  |  |  |
| 6  | TRDZ.../.../90-Z8   | T-Stück 90°                                   | 194                                 | 224     | 266     | 295     | 355     | 399     | 505       | 616     | 711     |  |  |  |
| 7  | TRDZ.../.../45-Z8   | T-Stück 45°                                   | 266                                 | 304     | 364     | 405     | 485     | 548     | 692       | 852     | 980     |  |  |  |
| 8  | ZTDZ.../...-Z8-...  | Isolierungsabschluß K (90°)                   | 45                                  | 50      | 55      | 61      | 64      | 70      | 79        | 90      | 121     |  |  |  |
| 9  | WCDZ.../.../Z8      | Prüföffnung (mit Kasten)                      | 266                                 | 282     | 308     | 325     | 367     | 383     | 434       | 479     | 545     |  |  |  |
| 10 | DWT1-X              | Putztüre mit Wärmedämmung                     | 52                                  | 52      | 52      | 52      | 52      | 52      | 52        | 52      | 52      |  |  |  |
| 11 | MSDZ.../...-Z8      | Isolierter Boden mit Ablauf und Ankerplatte   | 106                                 | 118     | 120     | 141     | 161     | 221     | 260       | 304     | 343     |  |  |  |
| 12 | KWD...-X/50-150     | Verstellbare Stützkonsole a=50-150            | 93                                  | 102     | 114     | 135     | 154     | 180     | 207       | 236     | 281     |  |  |  |
| 13 | OMD...-X/50-150     | Verstellbare Wandbefestigungsschelle a=50-150 | 72                                  | 78      | 80      | 83      | 91      | 99      | 112       | 123     | 134     |  |  |  |
| 14 | OPIV...-X           | Spannschelle IV                               | 27                                  | 28      | 29      | 29      | 30      | 33      | 34        | 36      | 43      |  |  |  |
| 15 | ROZ...-CH...        | Rosette                                       | 17                                  | 19      | 21      | 22      | 22      | 26      | 31        | 42      | 48      |  |  |  |

Nettopreis in EUR ohne Mehrwertsteuer

Max Arbeitstemperatur 600°C  
 Material des Innenrohres: 1.4828 laut DIN 17441  
 Material des Außenrohres: 1.4301 laut DIN 17441  
 Rohre für Außenseite sind plasma geschweißt  
 Muffenlänge (60mm)  
 Garantie 5 Jahre



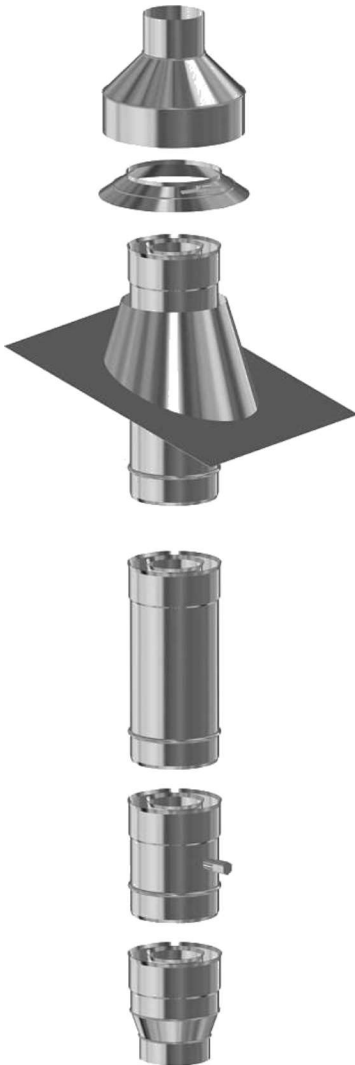


|    | SYMBOL              | NAME                              | Blechstärke [mm] / Durchmesser [mm] |    |     |
|----|---------------------|-----------------------------------|-------------------------------------|----|-----|
|    |                     |                                   | ≠ 0,4                               |    |     |
|    |                     |                                   | 60                                  | 80 | 100 |
| 1  | DK...-KS-X...       | Regenhaube L=200                  | 28                                  | 32 | 34  |
| 2  | RP.../1000-KS-X...  | Längenelement 1000mm              | 30                                  | 31 | 38  |
| 3  | RP.../500-KS-X...   | Längenelement 500mm               | 23                                  | 23 | 28  |
| 4  | RP.../250-KS-X...   | Längenelement 250mm               | 19                                  | 20 | 23  |
| 5  | TR.../90-KS-X...    | T-Stück 90°                       | 54                                  | 58 | 67  |
| 6  | ZTR...-KS-X...      | Prüföffnungdeckel ZTR             | 20                                  | 22 | -   |
| 7  | MS...-KS-X...       | Prüföffnungdeckel MS mit Griff    | 36                                  | 38 | 45  |
| 8  | MSP...-KS-X...      | Kondensatablauf 250mm vertikal    | 45                                  | 48 | 55  |
| 9  | KS.../90-KS-X...    | Bogen 90°                         | 44                                  | 46 | 49  |
| 10 | KS.../45-KS-X...    | Bogen 45°                         | 28                                  | 30 | 33  |
| 11 | KSW.../90-KS-X...   | Bogen 90° mit Stützkonsole        | 54                                  | 57 | 66  |
| 12 | ROP.../250-KS-X...  | Längenelement mit Meßstutzen 1/4" | 45                                  | 47 | 59  |
| 13 | RT.../2x250-KS-X... | Justierelement 2x250              | 52                                  | 53 | 60  |
| 14 | PDP...-KS-X...      | Abschlussblech - erhöht           | 33                                  | 38 | 38  |
| 15 | KPD...-KS-X...      | Regenkragen mit Lufteinlass       | 24                                  | 27 | 32  |

Nettopreis in EUR ohne Mehrwertsteuer



Max Arbeitstemperatur 250°C  
Material: 1.4301 laut DIN 17441  
Rohre für Außenseite sind plasma geschweißt  
Silikon O-Ring Dichtung  
Muffenlänge 60mm  
Garantie 5 Jahre



|    | SYMBOL                   | NAME                             | Blechstärke [mm] / Durchmesser [mm] |           |         |
|----|--------------------------|----------------------------------|-------------------------------------|-----------|---------|
|    |                          |                                  | ≠ 0,4/0,4                           | ≠ 0,4/0,5 | 100/150 |
| 1  | USD.../...-KSP-X...      | Mündungsabschluß mit Lufteinlass | 42                                  | 46        | 52      |
| 2  | DKD.../...-KSP-X...      | Regenhaube mit Lufteinlass       | 58                                  | 62        | 70      |
| 3  | RPD.../.../1000-KSP-X... | Längenelement 1000mm             | 71                                  | 78        | 103     |
| 4  | RPD.../.../500-KSP-X...  | Längenelement 500mm              | 53                                  | 57        | 71      |
| 5  | RPD.../.../250-KSP-X...  | Längenelement 250mm              | 39                                  | 41        | 49      |
| 6  | TRD.../.../90-KSP-X...   | T-Stück 90°                      | 98                                  | 104       | 125     |
| 7  | ZTRD.../...-KSP-X...     | Prüföffnungdeckel ZTRD           | 27                                  | 30        | -       |
| 8  | MSD.../...-KSP-X...      | Prüföffnungdeckel MSD mit Griff  | 47                                  | 50        | 61      |
| 9  | MSPD.../...-KSP-X...     | Kondensatablauf 250mm vertikal   | 67                                  | 73        | 89      |
| 10 | KSWD.../.../90-KSP-X...  | Bogen 90° mit Stützkonsolle      | 100                                 | 107       | 128     |
| 11 | KSD.../.../90-KSP-X...   | Bogen 90°                        | 84                                  | 90        | 110     |
| 12 | KSD.../.../45-KSP-X...   | Bogen 45°                        | 67                                  | 73        | 77      |

Nettopreis in EUR ohne Mehrwertsteuer



Max Arbeitstemperatur 250°C  
 Material des Innenrohres: 1.4301 laut DIN 17441  
 Material des Außenrohres : 1.4301 laut DIN 17441  
 Rohre für Außenseite sind plasma geschweißt  
 Silikon O-Ring Dichtung (Innenrohre)  
 Muffenlänge 60mm  
 Garantie 5 Jahre